

MCHG series



LOWER HEIGHT of THREE JAW GRIPPERS



Features:

- Compact body reliable design high clamping force.
- The housing: high-tensile aluminum and special hard-coated.
- Auto switch with indicator lamp and spring-packaged pressure plate are optionally available.
- The 3-jaw grippers is designed in lower height with long stroke.

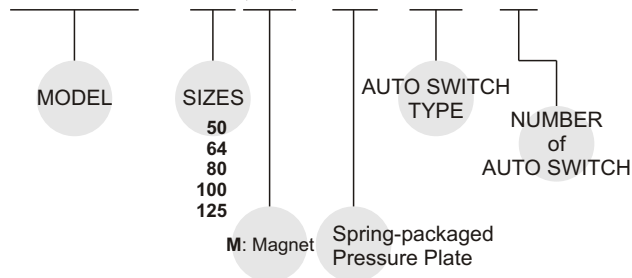
Specification:

Model	MCHG-50	MCHG-64	MCHG-80	MCHG-100	MCHG-125
Acting type	Double acting				
Bore	32	40	58	77	96
Stroke	8	12	16	20	26
Fluid	Air 3~7 kgf/cm ²				
Ambient temperature	-5~+60°C (No freezing)				
Repeatability	0.05				
Lubrication	Not required				
Weight(kg)	0.23	0.41	0.8	1.4	2.4

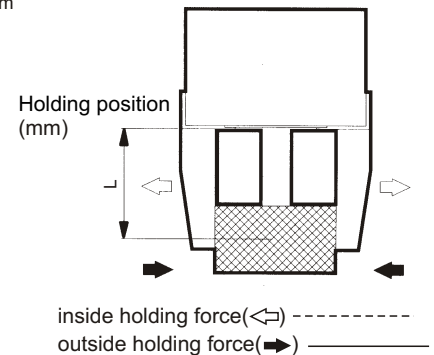
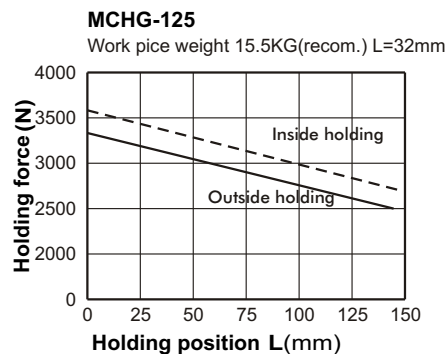
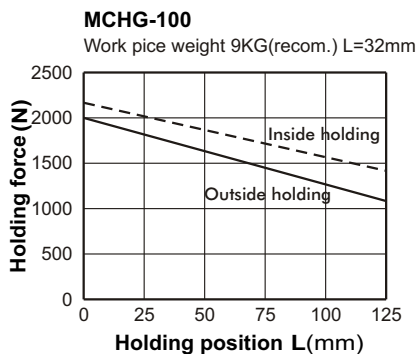
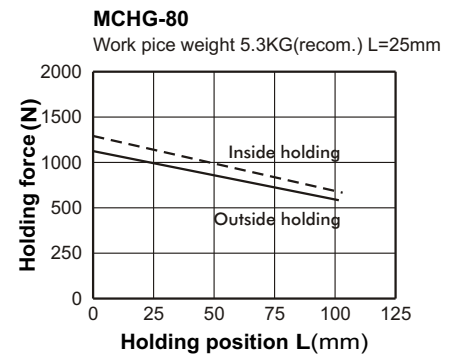
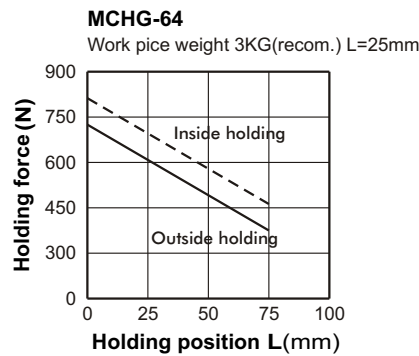
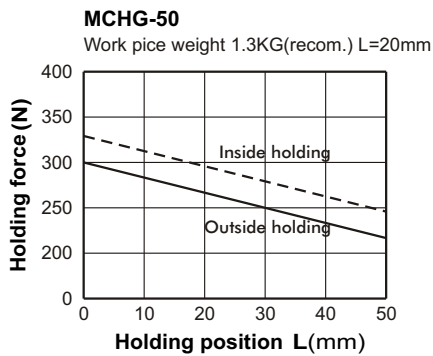
- Maintenance: Re-Lubrication after appr. 1.5 million cycles

Order example:

MCHG - 50(M) - P - RH × 1

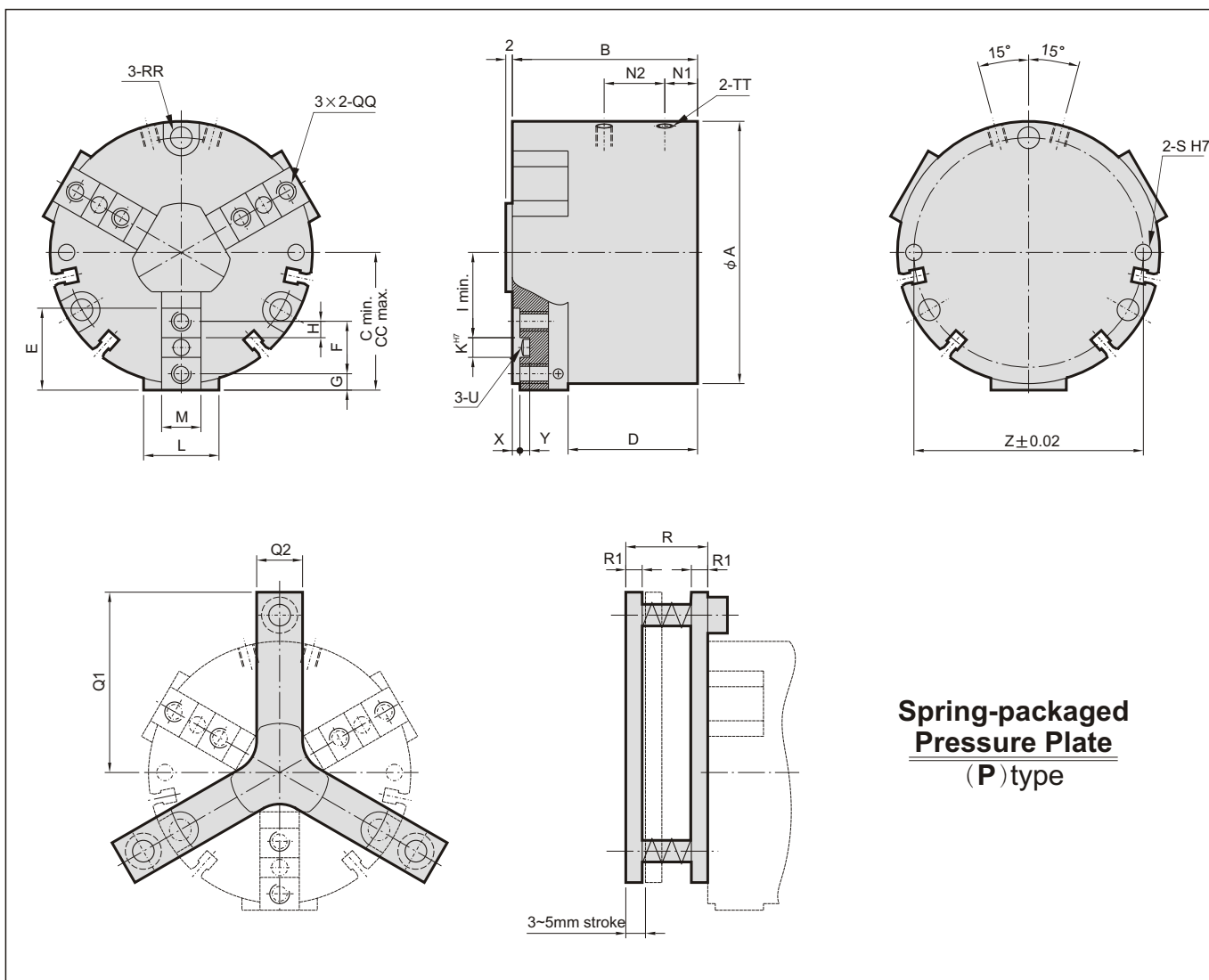


Gripping force in relation to the holding position "L" at 6kgf/cm²



- With reference to the holding force, under the condition must be considered.
- Condition: friction coefficient, great acceleration impact is expected during work pice rotate.
- It recommend: select a type of arithmetic holding force that can produce 10 to 20 times for work pice weight.

LOWER HEIGHT of THREE JAW GRIPPERS



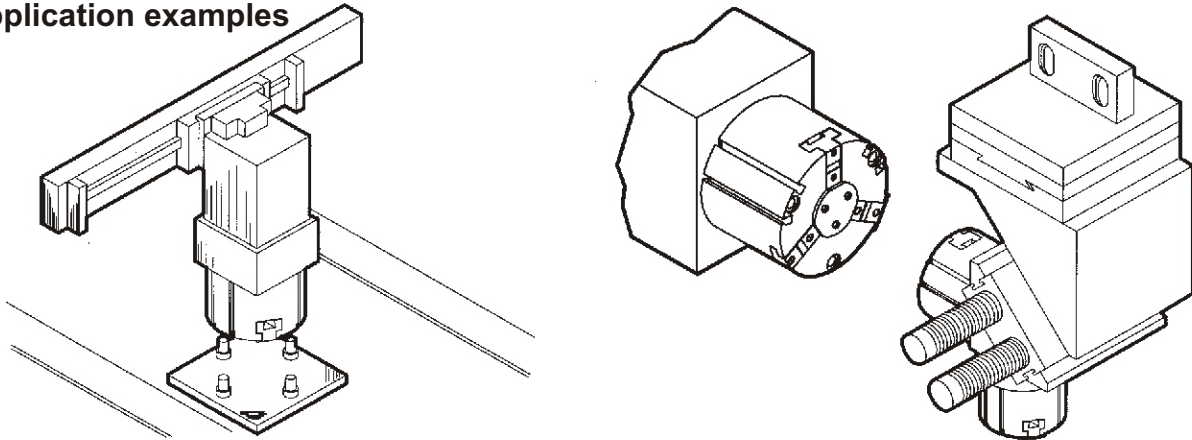
**Spring-packaged
Pressure Plate
(P) type**

Code Model	A	B	C	CC	D	E	F	G	H	I	K	L	M	N1	N2	Q1	Q2	R	R1
MCHG-50	50	39	26.5	30.5	27	18	12	3	3.5	15	5	14	8	9.5	13.5	38	12	25	5
MCHG-64	64	47.5	32	38	32	20	13	4	4	19	5	18	10.2	10.5	11.5	44	14	25	5
MCHG-80	80	56.5	42	50	39.5	25	16	5	5	26	6	23	12.2	10	18.5	55	14	25	5
MCHG-100	100	65	52	62	45.5	32	20	6	6	32	8	27	14.2	12	19	70	20	25	6
MCHG-125	125	76	65.5	78.5	52	40	24	8.5	8	41	8	30	16.2	14	25.5	85	20	25	6

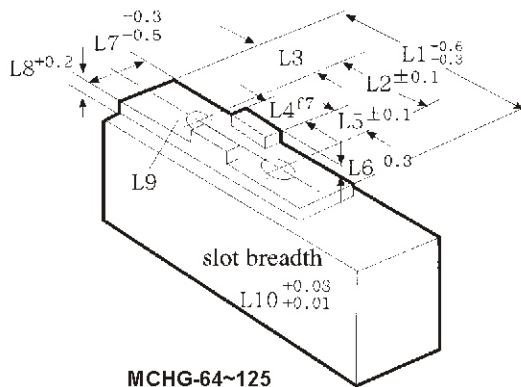
Code Model	RR	QQ	S	TT	U	X	Y	Z
MCHG-50	φ 3.4thru, 6C/B × 5dp P.C.D44	M3 × 0.5 × 7dp	φ 3 × 8dp	M5	φ 4	-	2	44
MCHG-64	φ 5.5thru, 10C/B × 6dp P.C.D56	M4 × 0.7 × 8dp	φ 4 × 10dp	M5	φ 4	2	2.5	56
MCHG-80	φ 6.6thru, 11C/B × 8dp P.C.D70	M5 × 0.8 × 9dp	φ 5 × 10dp	M5	φ 5	2	3	70
MCHG-100	φ 6.6thru, 11C/B × 8dp P.C.D90	M6 × 1.0 × 12dp	φ 5 × 12dp	PT 1/8	φ 6	3	3	90
MCHG-125	φ 9thru, 15C/B × 10dp P.C.D112	M6 × 1.0 × 12dp	φ 6 × 16dp	PT 1/8	φ 6	5	3.5	112

LOWER HEIGHT of THREE JAW GRIPPERS

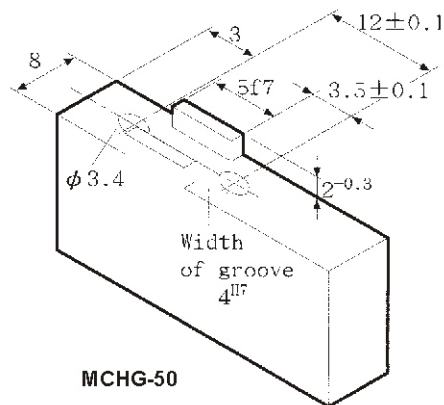
Application examples



Finger blanks



MCHG-64~125



MCHG-50

Code Model	L1	L2	L3	L4	L5	L6	L7	L8	L9	L10
MCHG-64	20	13	4	5	4	2.5	10.2	4.5	φ4.5	4
MCHG-80	25	16	5	6	5	3	12.2	5.5	φ5.5	5
MCHG-100	32	20	6	8	6	3	14.2	5.5	φ6.6	6
MCHG-125	40	24	8.5	8	8	3.5	16.2	5.5	φ6.6	6

Auto switch setting position

